

**Redblade Pty Ltd**

# **Dextron Heatshrink**

## **4255ST One Step**

### **All in One, Hood style L-Bar Shrink Wrapper**



Dextron Heatshrink's - 4255ST One Step All in One, Hood style L-Bar Shrink Wrapper is great for professionally finished products for both point of sale and ideal for product security.

This machine features one action seal and shrink with easy to operate analogue controls.

Supplied on a mobile stand the One Step L-bar sealer is ideal for printing companies or product that needs to be reworked.

Both PVC or Polyolefin centre folded shrink films can be used with this machine.

The One Step L-Bar Sealer is also available in other sizes. Please contact us for details on other sizes.

**Power Requirements:**

240v, single phase, 15amp.

**Machine dimensions:**

(LxWxH) 1270x730x1100

**Seal Area:**

420mmx550mm

**Machine Weight:**

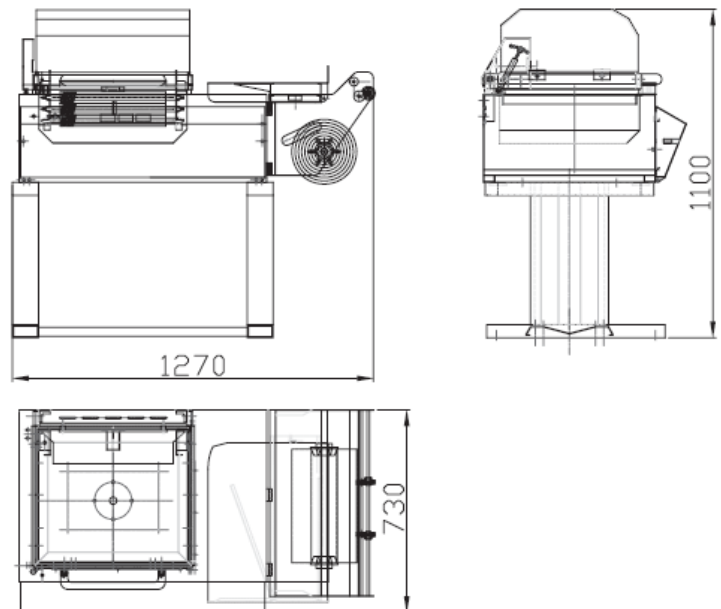
90kg (with stand 108kg)

**Height of working table**

stand): 920mm

**Max product height capacity:**

200mm



***www.redblade.com.au***

**3 Elliot Street, Albion, Queensland 4010**

**Phone: 07 32622344 Fax: 07 32622074**

**Email: sales@redblade.com.au**